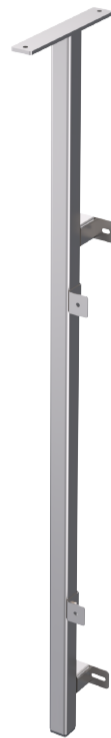




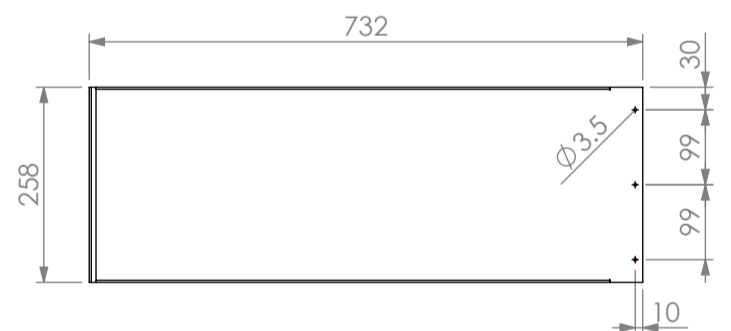
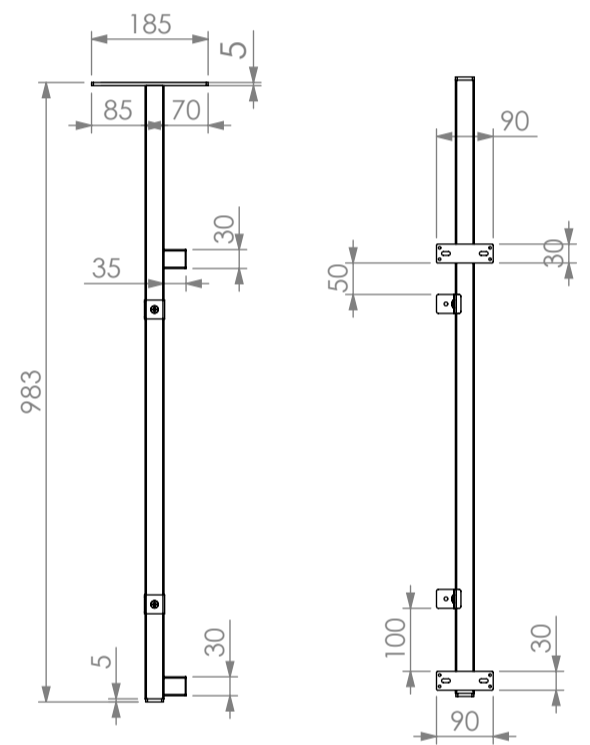
**SIMPLY**  
**STAINLESS**  
Modular Bar Solutions



**SBM-EPK-0700**



**SBM-SOS**



**NOTE:**  
1. 700mm DEEP MODULE ELEVATION SHOWN.

SPECIFICATION	
Upstand	- High quality 304 grade stainless steel. - 1.2mm gauge, no. 4 Finish.
Frames	- 30mm square stainless steel tube.
Servery	- 5mm stainless steel flatbar. - Welded to frame. - 2 fixing holes.

SBM-EPK/SOS	End Panel Kits & Serve over Support	
	Product Code	Dimensions (mm)
	SBM-EPK-0600	N/A
	SBM-EPK-0700	N/A
	SBM-SOS	N/A